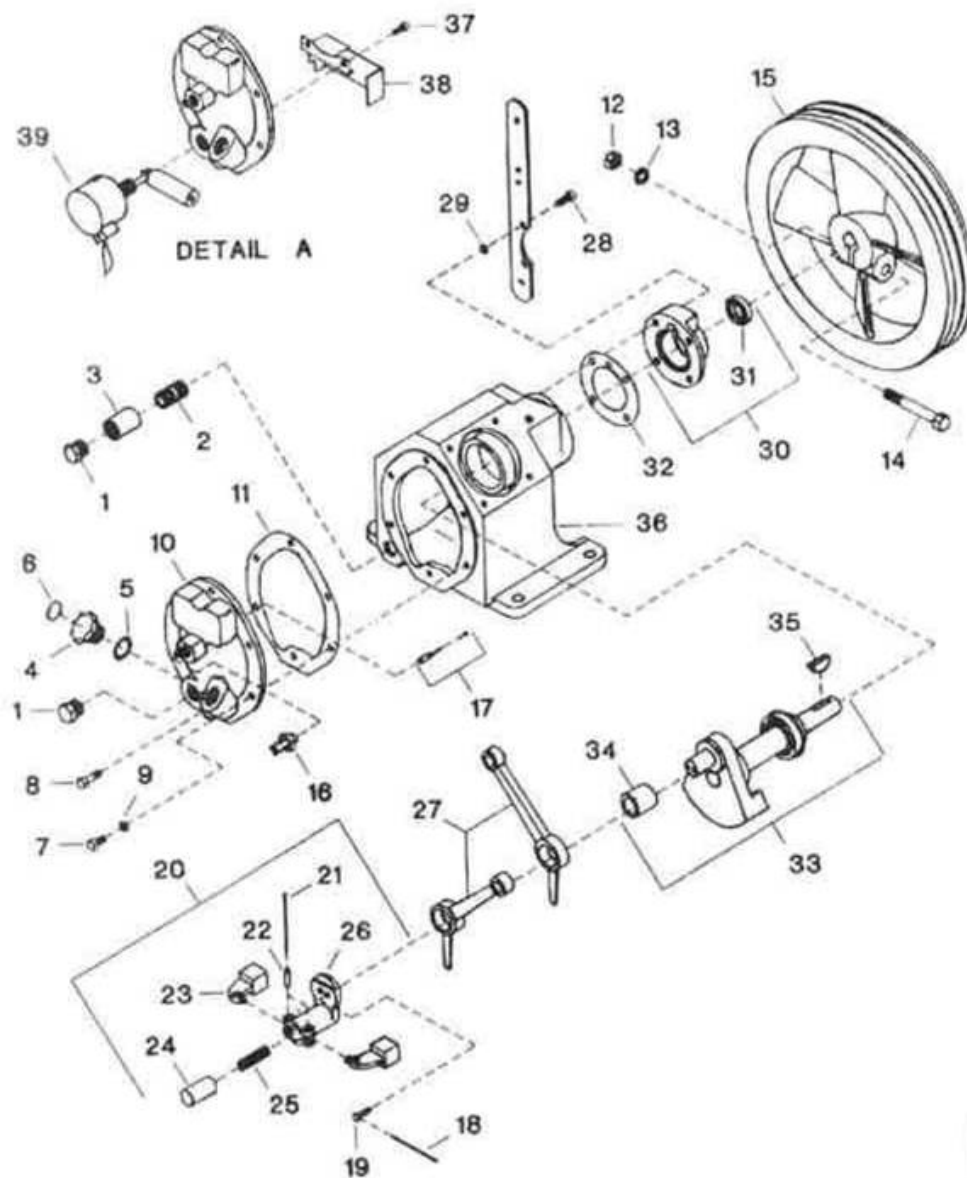


## 2. Compressor Frame Assembly - Model 231



All manufacturer's names, numbers, photos, product description and/or part numbers are used for reference purposes only & it is not implied that any part listed is the product of these manufacturers. Since Approvement are made from time to time, the illustration and specifications are subject to change without notice.

## 2. Compressor Frame Assembly - Model 231

Ref. No.	Component Part Number	Description	Qty. per Assly.	Spares		
				1	2	3
2-1	95344651	Plug, Pipe Hex Head	2			
2-2	95640009	Nipple, Long	1			
2-3	32179061	Coupling, Pipe -1/2"	1			
2-4	30216055	Plug, Oil Filler - Complete	1			
2-5	95018149	* O-Ring	1	1	1	2
2-6	32000655	Decal, Hand Tighten	1			
2-7	95227302	Capscrew-Hex Head	5			
2-8	95079976	Capscrew-Hex Head	1			
2-9	95674651	Gasket-Copper Washer	1			
2-10	37127107	Cover, Frame End	1			
2-11	30299226	Gasket, Frame End Cover	1	1	1	2
2-12	95077798	Nut-Hex	1			
2-13	95716890	Lockwasher, Spring	1			
2-14	95053682	Capscrew-Hex	1			
2-15	30212906	Wheel, V-Belt	1			
2-16	37007689	Valve, Pilot	1		1	1
2-17	37002417	Pin Thrust Assembly	1	1	1	2
2-18	90799289	Lockwire	1			
2-19	95044111	Capscrew-Hex Head	2			
2-20	30210264	Cap Crankpin Assembly	1			
2-21	32006587	* Lockwire	1			
2-22	30215008	* Pin, Centrifugal Unloader	2			
2-23	30221725	* Weight, Centrifugal Unloader	2			
2-24	30216118	* Plunger, Centrifugal Unloader	1			
2-25	30416978	* Spring, Centrifugal Unloader	1			
2-26	30210454	* Body, Crankpin Cap	1			
2-27	32004145	Rod, Connecting	2		2	2
2-28	95227302	Capscrew-Hex Head	4			
2-29	95674651	Gasket-Copper Washer	4			
2-30	32027914	Cover Shaft End Assembly	1			
2-31	32204521	* Seal, Oil	1			
2-32	30295034	Gasket, Shaft End Cover	1			
2-33	30211577	Crankshaft - Complete	1			
2-34	30289813	* Bushing, Crankpin	1			
2-35	95433173	* Key, Woodruff	1			
2-36	30222327	Frame, Compressor	1			
		<b>Optional Items</b>				
		<b>Detail A</b>				
6-38	30285605	Baffle, Low Oil Level Switch	1			
6-39	32201527	Switch Low Oil Level	1			